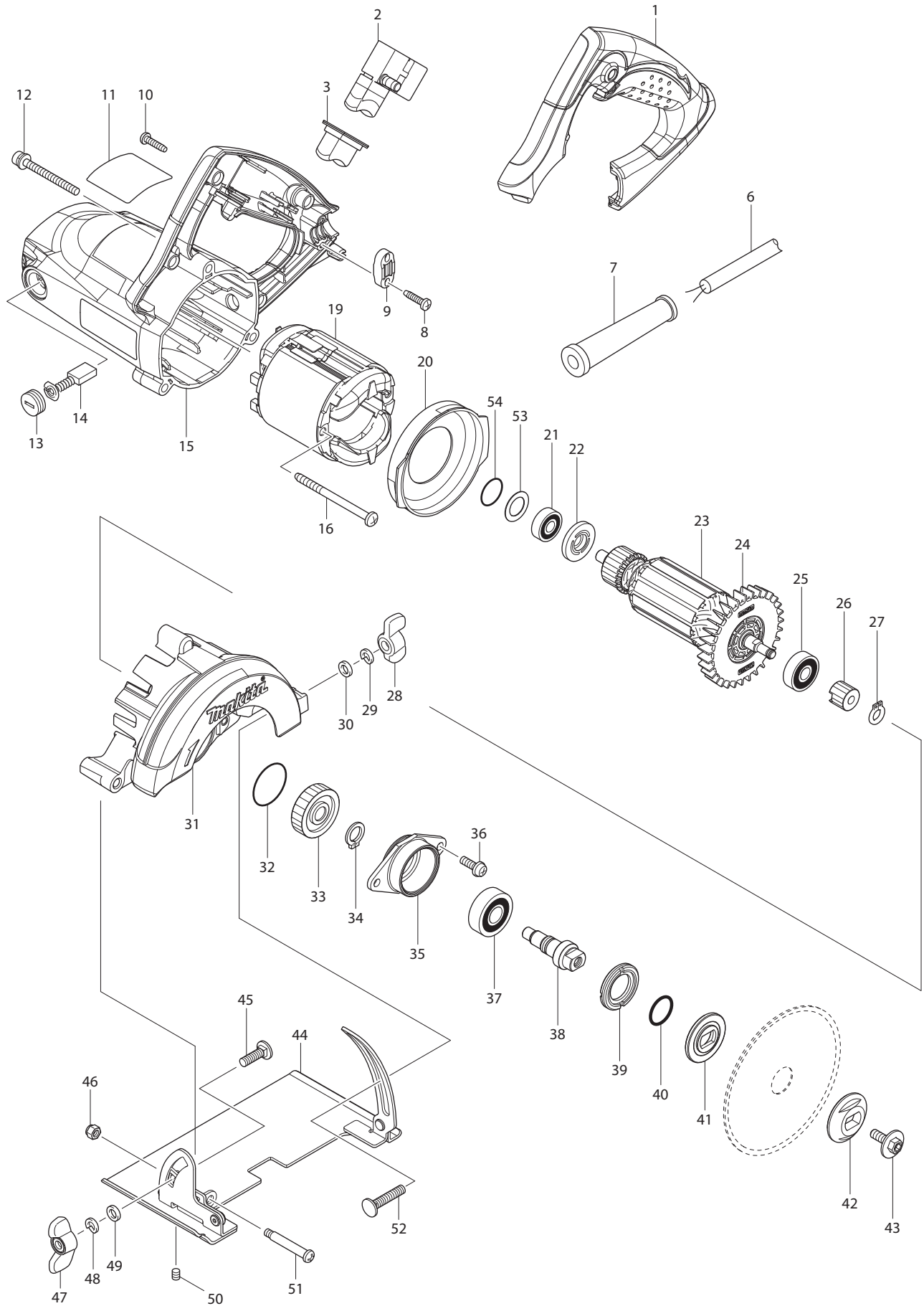




04 - 2012  
4100NH2ZX1  
4" MASONRY SAW



Item No.	Part No.	Description	Qty	Unit
1	450838-7	HANDLE COVER	1	PC.
2	2 650248-0	SWITCH SGES115C-3	1	PC.
3	3 424585-6	DUST COVER	1	PC.
6	664265-4	CORD W/PLUE 2P-16-2.5M, SJ	1	PC.
7	682505-8	CORD GUARD 10-90	1	PC.
8	265995-6	TAPPING SCREW 4X18	2	PC.
9	687063-9	CORD CLAMP	1	PC.
10	265995-6	TAPPING SCREW 4X18	4	PC.
11	897639-6	NAME PLATE F/4100NH2	1	PC.
12	911263-2	PAN HEAD SCREW M5X40	3	PC.
13	643750-0	BRUSH HOLDER CAP	2	PC.
14	194996-6	CARBON BRUSH CB-303 2PC/SET	1	SET
15	141728-2	MOTOR HOUSING COMPLETE	1	PC.
	INC. 643708-9	BRUSH HOLDER 5-11	2	PC.
	INC. 892784-2	CAUTION LABEL, FR/SP	1	PC.
16	266038-7	TAPPING SCREW 5X70	2	PC.
19	594581-9	FIELD ASSY 115V	1	PC.
	INC. 654020-2	RING TERMINAL	2	PC.
	INC. 654501-6	CONNECTOR P-1.25	2	PC.
20	450839-5	BUFFLE PLATE	1	PC.
21	211395-8	BALL BEARING 608LLU	1	PC.
22	681644-1	INSULATION WASHER	1	PC.
23	510220-3	ARMATURE ASS'Y 115V	1	PC.
	INC.	Item No. 21,22,24,25		
24	240109-8	FAN 70	1	PC.
25	211092-6	BALL BEARING 629DDW	1	PC.
26	226695-3	HELICAL GEAR 17	1	PC.
27	961002-0	RETAINING RING S-6	1	PC.
28	252649-4	THUMB NUT M6	1	PC.
29	942151-2	SPRING WASHER 6	1	PC.
30	941151-9	FLAT WASHER 6	1	PC.
31	158836-2	BLADE CASE COMPLETE	1	PC.
	INC. 212046-6	NEEDLE BEARING 810	1	PC.
	INC. 213445-5	O-RING 26	1	PC.
32	213444-7	O RING 30	1	PC.
33	226696-1	HELICAL GEAR 44	1	PC.
34	961052-5	RETAINING RING S-12	1	PC.
35	318346-3	BEARING BOX	1	PC.
36	911223-4	PAN HEAD SCREW M5X16	2	PC.
37	211129-9	BALL BEARING 6201DDW	1	PC.
38	325603-2	SPINDLE	1	PC.
39	285834-4	BEARING RETAINER 19-33	1	PC.
40	213279-6	O RING 18	1	PC.
41	224423-0	INNER FLANGE 36	1	PC.
42	224424-8	OUTER FLANGE 36	1	PC.
43	266510-9	HEX. SOCKET HEX. BOLT M6X18	1	PC.
44	165548-0	BASE	1	PC.
45	251919-8	CAP SQUARE NECK BOLT M6X20	1	PC.
46	252103-8	HEX. LOCK NUT M5-8	1	PC.
47	252649-4	THUMB NUT M6	1	PC.
48	942151-2	SPRING WASHER 6	1	PC.
49	941151-9	FLAT WASHER 6	1	PC.
50	266264-8	H.S.SET SCREW(FLAT POINT)M5X6	1	PC.
51	266515-9	+ PAN HEAD SCREW M5	1	PC.
52	251920-3	CAP SQUARE NECK BOLT M6X30	1	PC.
53	253192-6	FLAT WASHER 14	1	PC.
54	213262-3	O RING 18	1	PC.

<b>Item No.</b>	<b>Part No.</b>	<b>Description</b>	<b>Qty</b>	<b>Unit</b>
C01	873698-4	CARTON F/4100NH2X1	1	PC.
D01	652008-6	PAN HEAD SCREW M3.5X7	2	PC.
D02	654037-5	INSULATED TERM. FK1.25-M3	2	PC.
D03	654509-0	CONNECTOR 2-SD	1	PC.
<b><u>ACCESSORIES</u></b>				
<b>- See catalogue or visit <a href="http://www.makita.ca">www.makita.ca</a> for more optional accessories -</b>				
A01	781011-1	WRENCH 22	1	PC.
A02	783203-8	HEX. WRENCH 5	1	PC.
A03	A-94546	4" TURBO RIM DIAMOND WHEEL, WET/DRY	1	PC.
A04	D-36968	4-3/8" CURVED DIAMOND WHEEL 20MM, DRY	1	PC.